

VSW

Non Capacity Type Solenoid Pump Water series Pressure (Piston) Type

- <Characteristic>
- This model is a standard for water and chemical fluid (pH6~10※2) application with high pressure.
 - Our pumps are applied to each input voltage by coil customizing. Our pump is driven by half-wave rectification at AC input.
 - It is possible to customize a standard to RoHS application.
- <Application>
- Air Conditioning System
 - Water Sprinkler
- <Minimum Qty.> Minimum quantity is 10 pcs

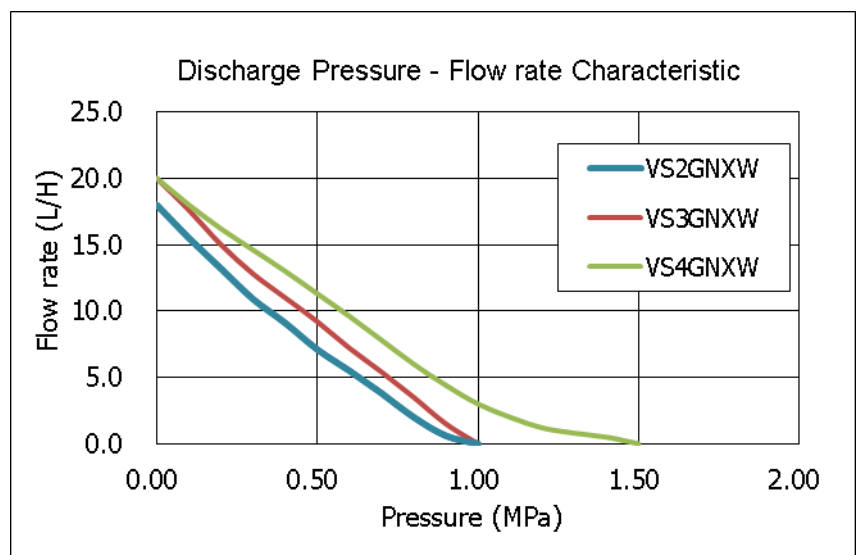
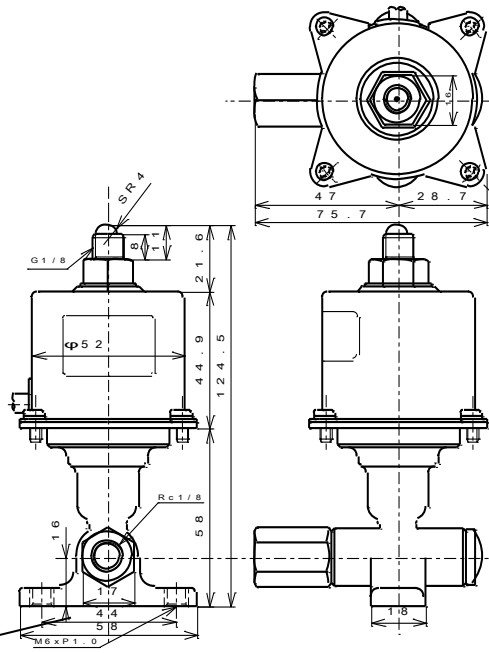


<Specification>

Item	Model	VS2GNXW	VS3GNXW	VS4GNXW
Voltage Rating		100 or 200VAC (50/60Hz) (Half-wave rectification) ※1		
Fluid		Drinking Water or Chemical solution (pH:6~10) ※2		
Power Consumption (VA)(TyP.)		33	48	55
Max. Flow rate (50Hz/60Hz)(L/H)		18	20	20
Max. Pressure (Closed outside)(MPa)		1.0	1.0	1.5
Suction Head (m)		-1.0 ~ +2.0		
Internal Solenoid Valve		With Internal Solenoid Valve		
Ambient Temperature (°C)		-20°C~+40°C (No Freezing)		
Installation		2-M6xP1.0 (Pitch of 2 holes: 40mm)		
Connection		IN: Rc1/8, OUT: G1/8 (SR4)		
Weight (kg)		0.90	1.00	1.10

※1. 100V and 200V do not have a common specification.
 ※2. Please let us know your usage fluid. However, our guarantee is for water fluid.

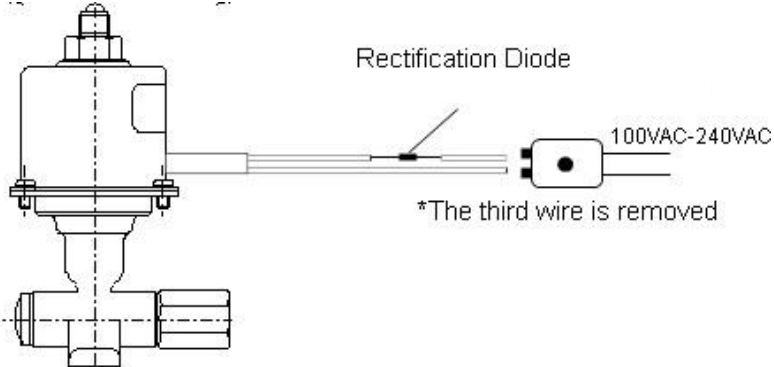
<Outline Drawing> Common to VSW model



※This characteristic is not guaranteed but just as a reference.

Hole for Installation (2points)

<<< User's Manual >>>

<p>1. Input Voltage:</p>	<p>«100VAC and 200VAC 50/60Hz(half-wave rectification)» Connect a rectification diode. ① For two wire...Connect a diode on one wire, and input AC power to both wires. ② For three wire...Connect a diode on Blue wire, and input AC power to two wires. Wiring (50HZ) ... Blue and Red wire(Yellow is unnecessary) (60HZ) ... Blue and Yellow wire(Red is unnecessary) <wiring reference></p> 
<p>2. Setting</p>	<p>As a principle, install a pump discharge side in the vertical and turning it upward toward the ground. Entrained air may be necessary for several minutes to come out, and, discharge pressure and flow rate may be instability when the inlet side of pump is downward.</p>
<p>3. Vibration</p>	<p>This pump causes some vibration with driving. To avoid any bad effect to device, to have an attention to the strength of setting plate and the setting way, and to use a vibration-absorbing rubber mat is effective.</p>
<p>4. Attention to use</p>	<ul style="list-style-type: none"> ○ Do not idle a pump without a fluid for 15min. or more. ○ This model is not a structure for waterproof. It causes a trouble when it becomes covered with the water. Be careful of such use under the condition which electricity puts specially because it is very dangerous. ○ Stop use at once, and tell conditions to the one to Sales Dept. when there is a problem such as fluid leakage on your application. Do not disassemble our pump by yourself, please.
<p>5. Setting Example</p>	