

# VSC

## Non Capacity Type Solenoid Pump Oil series Pressure (Piston) Type

### <Characteristic>

- This model is our standard of Oil series/Pressure (Piston type).
- This model has a relief valve function to adjust discharge pressure, and it is possible to set a range of discharge pressure.
- Our pumps are applied to many input voltage with coil customizing. Our pump is driven by half-wave rectification at AC input.
- It is possible to customize a standard to RoHS application.

### <Application>

- For Gun type burner which is applied for Heater, Boiler.
- Circulation system of oil device.
- ※No correspond for a replacement and a small order quantity.



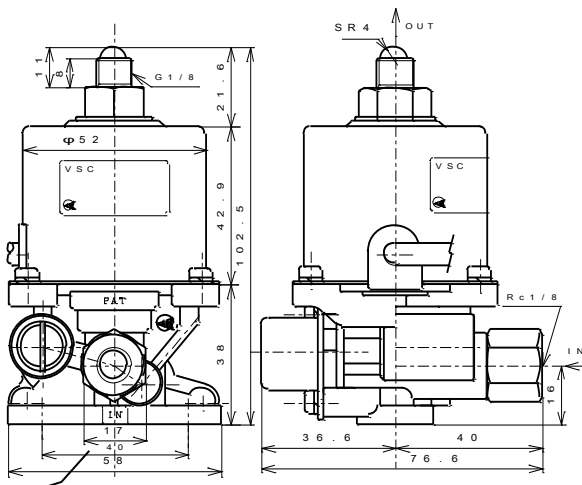
### <Specification>

Item	Model	VSC36	VSC63	VSC90
Voltage Rating		AC100 – 240V(50/60Hz) (half-wave rectification) ※1		
Fluid		Kerosene, Light Oil, Lubricating Oil, Bio Oil ※2		
Power Consumption (VA)(TyP.)		19	25	34
Max. Flow rate (50Hz/60Hz)(L/H)		14.1 / 15.8	15.5 / 17.7	17.0 / 19.5
Max. Pressure (Closed outside)(MPa)		1.6 / 1.5	1.7 / 1.5	1.8 / 1.6
Adjusting Pressure		Relief Valve(Return Valve) method		
Nozzle Application(GPH)		0.5 ~ 1.0	1.0 ~ 1.5	1.5 ~ 2.5
Suction Head(m)		-1.0 ~ +2.0		
Check valve		Inserted into a pump		
Room Temperature (°C)		-20°C~+40°C (No Freezing)		
Installation		2-M6xP1.0 (Pitch of 2 holes: 40mm)		
Connection		IN: Rc1/8, OUT: G1/8 (SR4)		
Weight (kg)		0.72	0.73	0.75

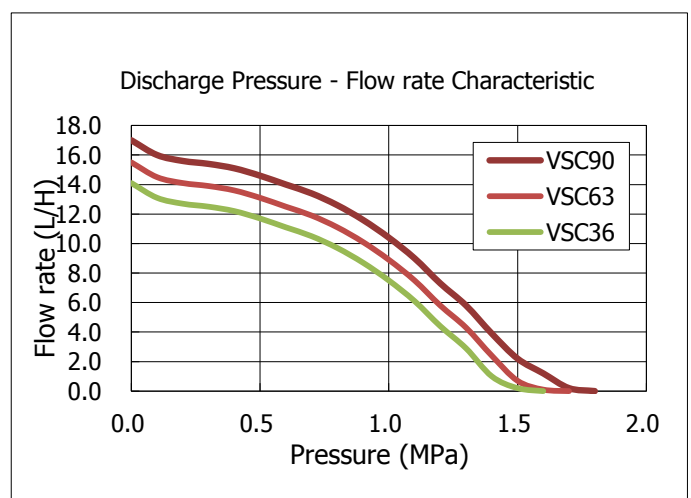
※1. Our pump is customized for each voltage. Please propose your request voltage (AC/DC) to use to us.

※2. Please let me know your usage fluid. However, our standard guarantee is for Kerosene or Light oil fluid.

### < Outline Drawing > Common to all VSC

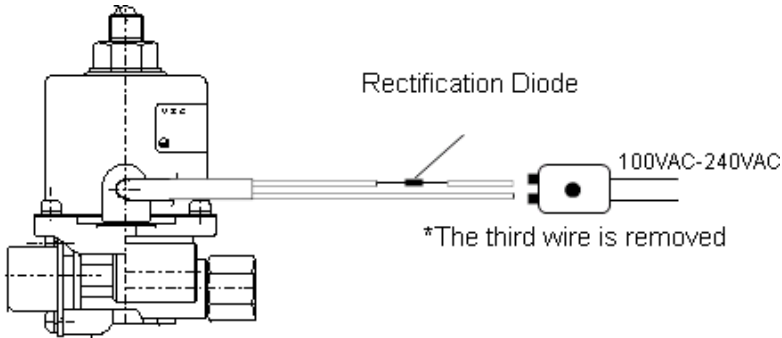


Hole for Installation (2points)



※This characteristic is not guaranteed but just as a reference.

<<< User's Manual >>>

<p>1. Input Voltage:</p>	<p>«100VAC-240VAC 50/60Hz(half-wave rectification)»          Connect a rectification diode.          ① For two wire···Connect a diode on one wire, and input AC power to both wires.          ② For three wire···Connect a diode on Blue wire, and input AC power to two wires.              Wiring (50HZ)···Blue and Red wire(Yellow is unnecessary)              (60HZ)···Blue and Yellow wire(Red is unnecessary)          &lt;wiring reference&gt;</p> 
	<p>«12VDC, 24VDC(by PWM or PFM)»          It is necessary to preparing a driver.          Please refer the other manual of circuit specification.</p>
<p>2. Setting</p>	<p>As a principle, install a pump discharge side in the vertical and turning it upward toward the ground.          Entrained air may be necessary for several minutes to come out, and, discharge pressure and flow rate may be instability when the inlet side of pump is downward.</p>
<p>3. Vibration</p>	<p>This pump causes some vibration with driving.          To avoid any bad effect to device, to have an attention to the strength of setting plate and the setting way, and to use a vibration-absorbing rubber mat is effective.</p>
<p>4. Attention to use</p>	<ul style="list-style-type: none"> <li>○ Do not idle a pump without a fluid for 15min. or more.</li> <li>○ This model is not a structure for waterproof. It causes a trouble when it becomes covered with the water. Be careful of such use under the condition which electricity puts specially because it is very dangerous.</li> <li>○ Stop use at once, and tell conditions to the one to Sales Dept. when there is a problem such as fluid leakage on your application. Do not disassemble our pump by yourself, please.</li> </ul>
<p>5. Setting Example</p>	